

TS 2000 NV EN 5
TS 2000 NV BC EN 5

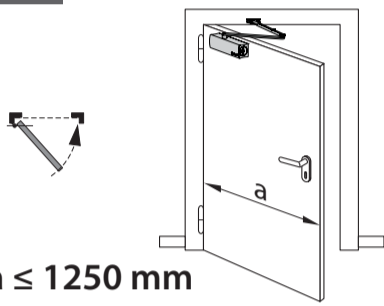


260123-01

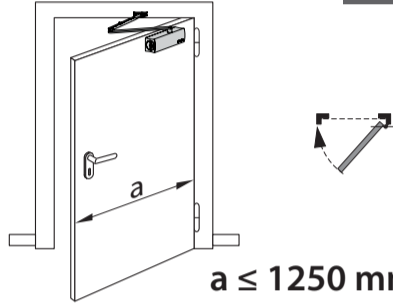


A

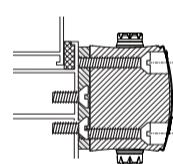
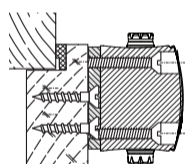
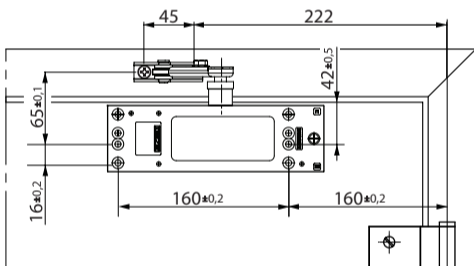
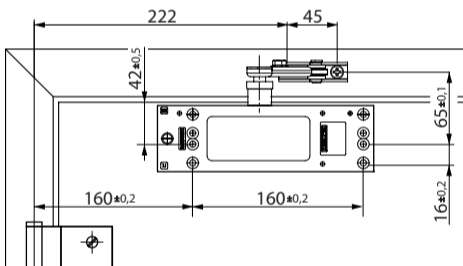
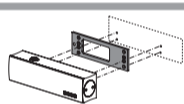
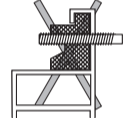
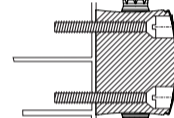
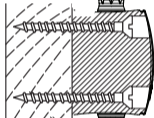
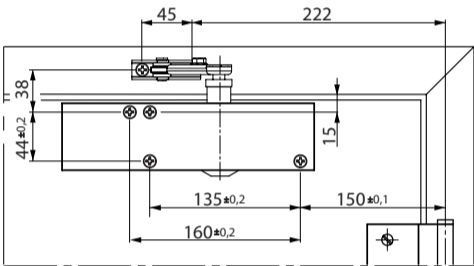
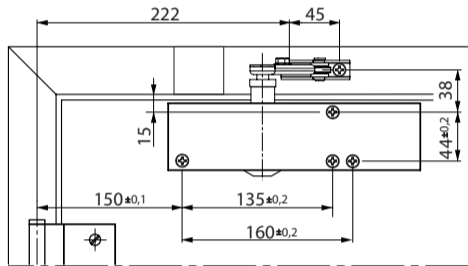
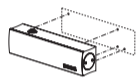
B



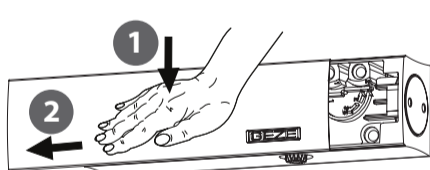
$a \leq 1250 \text{ mm}$



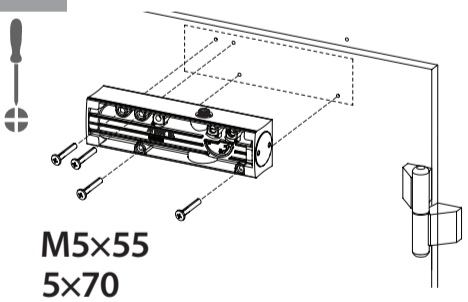
$a \leq 1250 \text{ mm}$



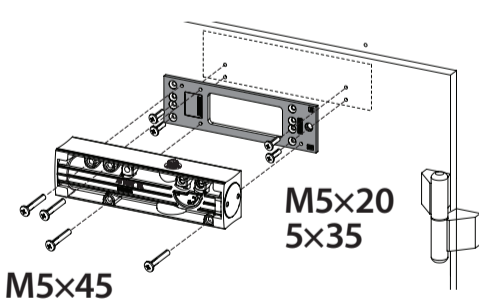
1



2

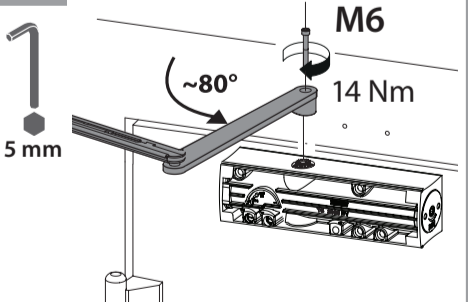


M5x55
5x70



M5x45
5x35

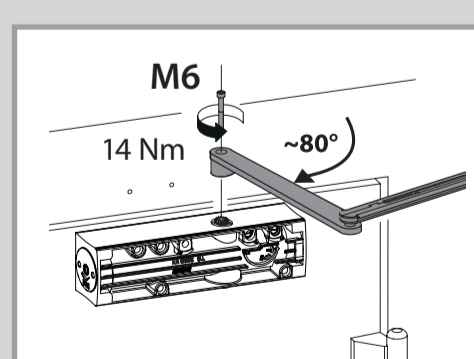
3



M6
14 Nm

5 mm

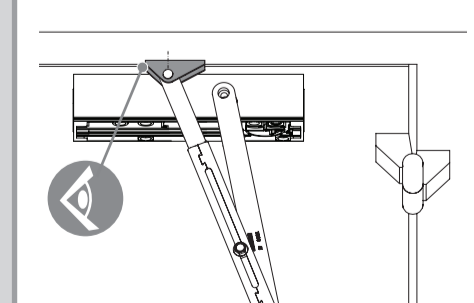
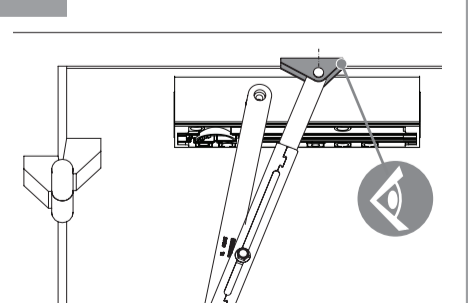
~80°



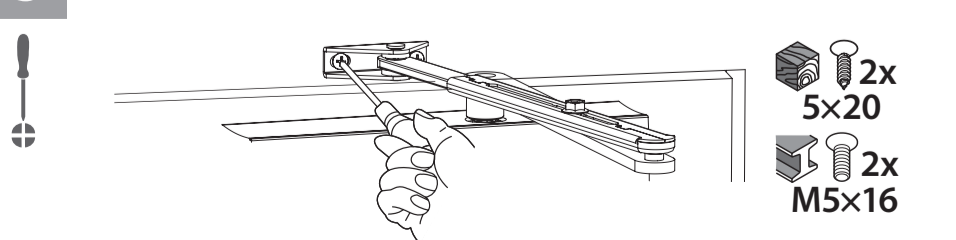
M6
14 Nm

~80°

4

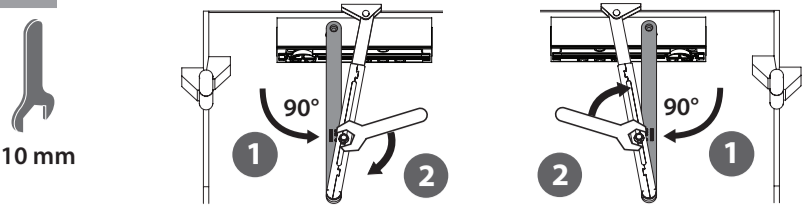


5

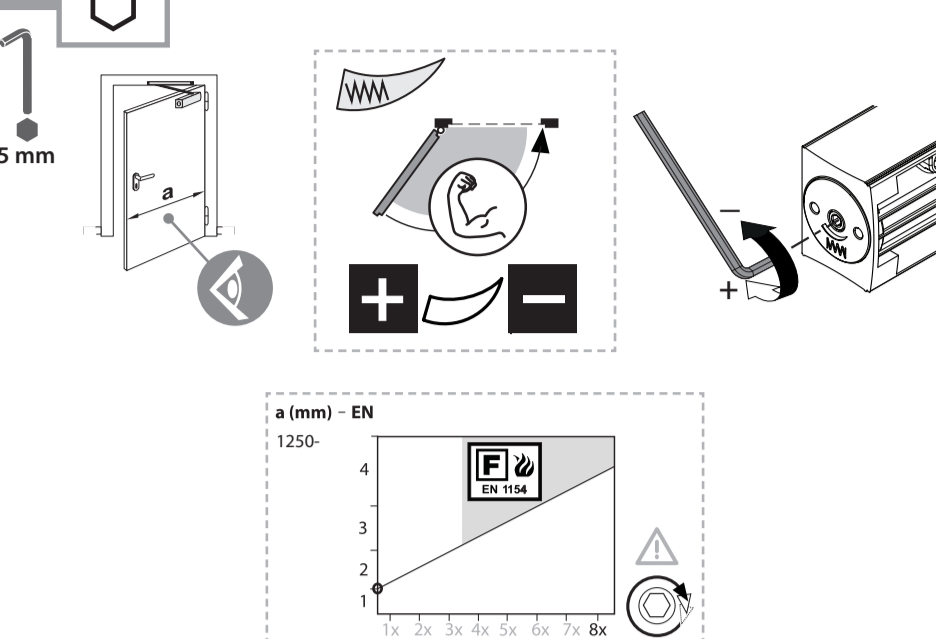


2x 5x20 screws
2x M5x16 screws

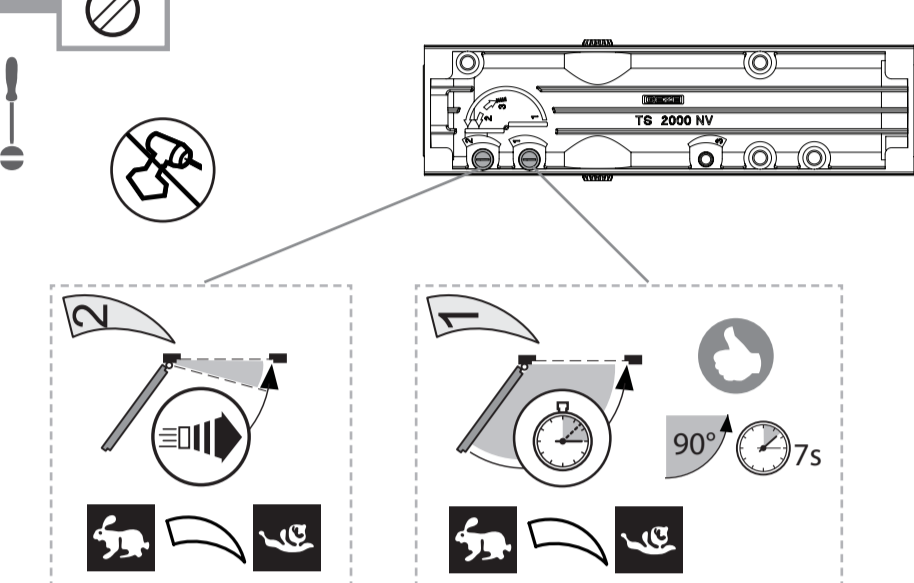
6



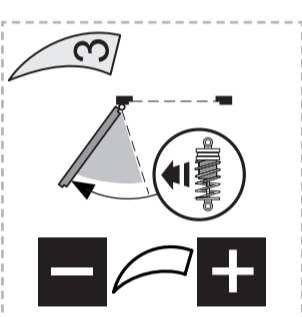
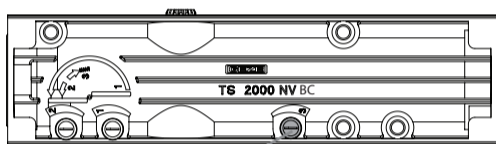
7



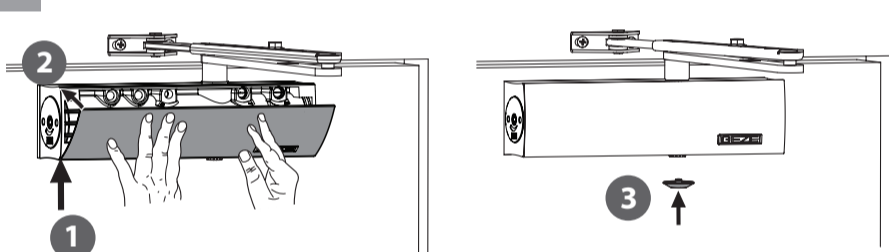
8



i+ TS 2000 NV BC



9



i

