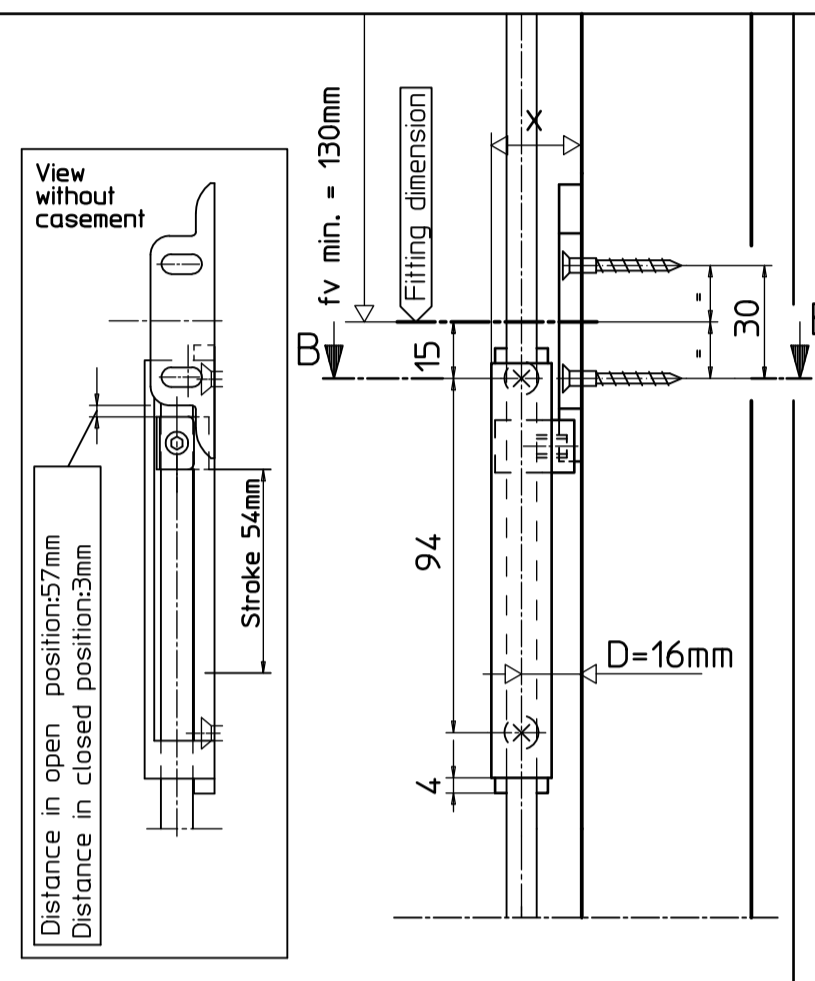
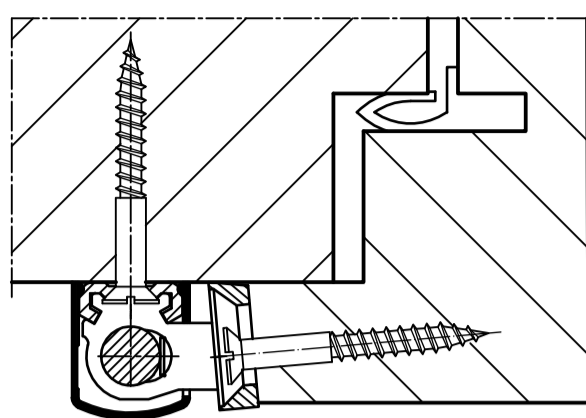


Additional locking OL90N+OL95 for 0 - 14 mm overlap

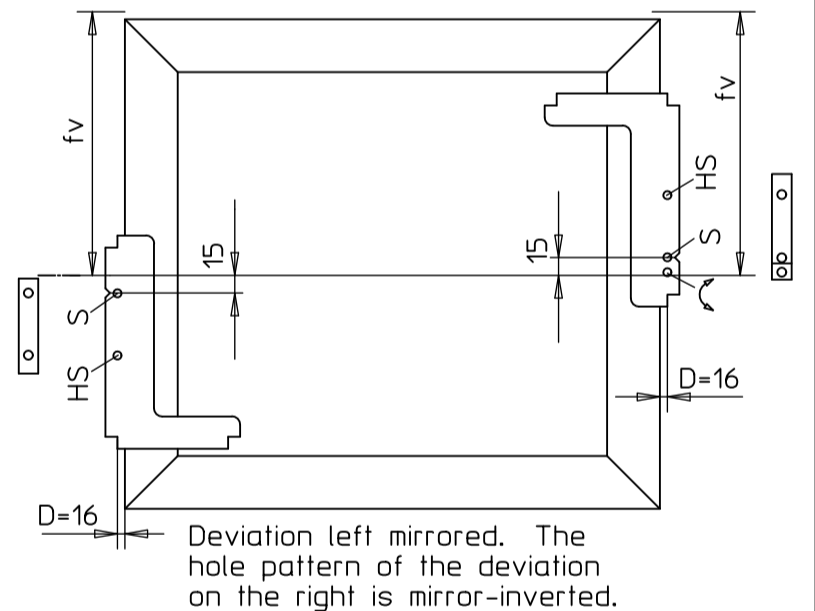
Additional locking OL90N+OL95 for overlap 14 - 25mm

B - B
1 : 1

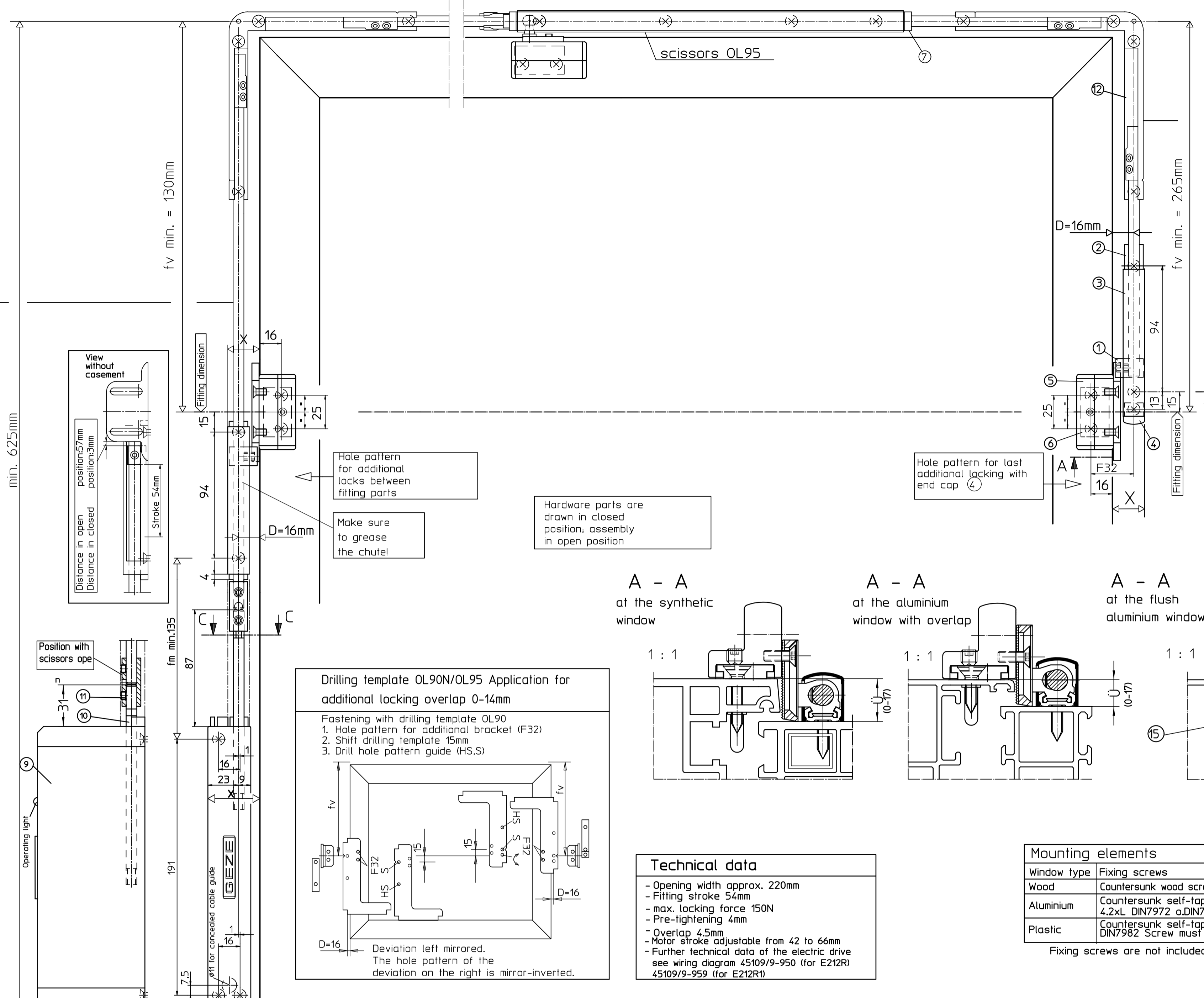
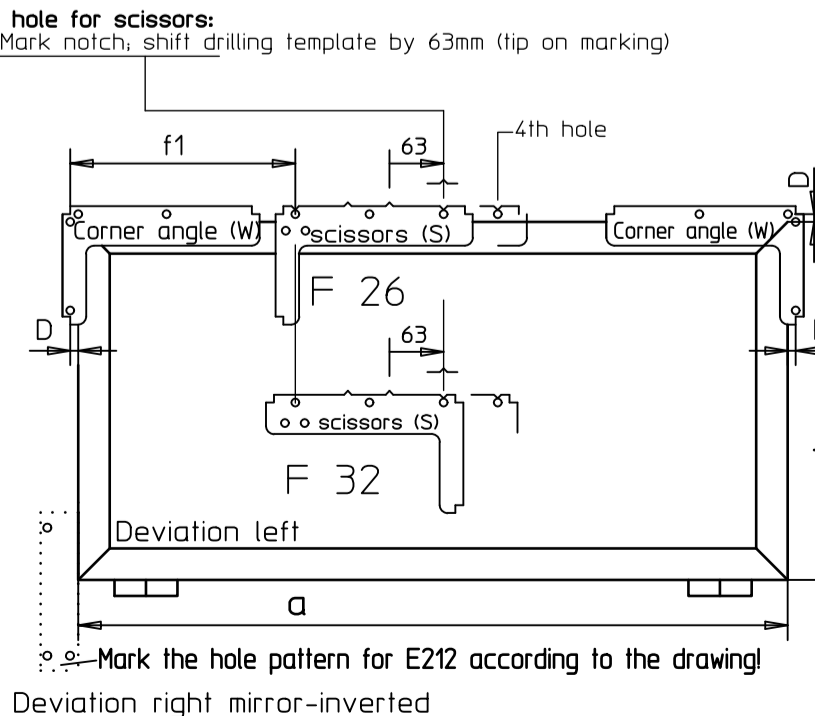
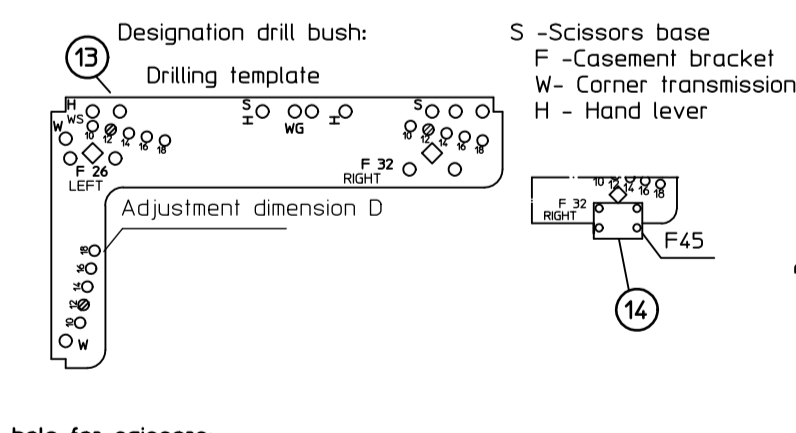


Drilling template OL90N/OL95 Application for additional locking overlap 14-25mm

- Fastening with drilling template OL90
1. Drill hole pattern for transome part
2. Shift drilling template 15mm from fv
3. Drill hole pattern guide (HS,S)

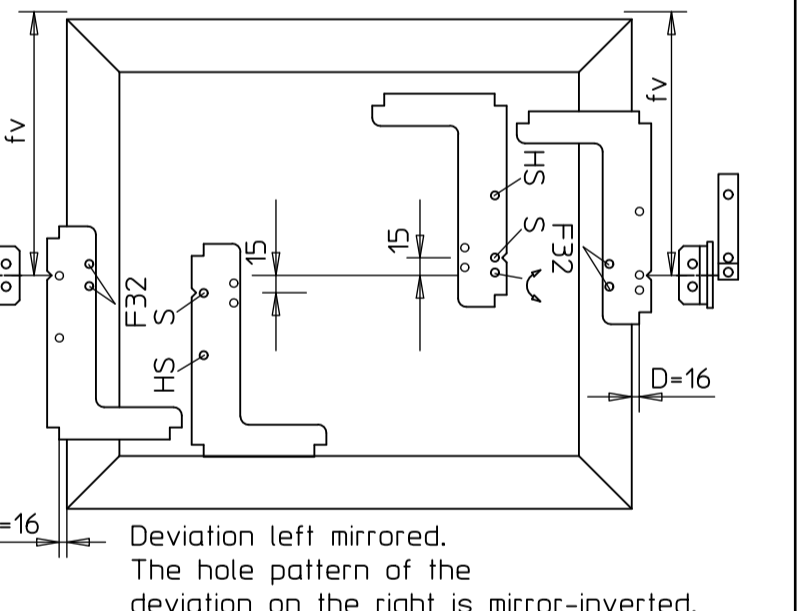


Drilling template for OL90N/OL95



Drilling template OL90N/OL95 Application for additional locking overlap 0-14mm

- Fastening with drilling template OL90
1. Hole pattern for additional bracket (F32)
2. Shift drilling template 15mm
3. Drill hole pattern guide (HS,S)



Technical data

- Opening width approx. 220mm
- Fitting stroke 54mm
- max. locking force 150N
- Pre-tightening 4mm
- Overlap 4,5mm
- Motor stroke adjustable from 42 to 66mm
- Further technical data of the electric drive see wiring diagram 45109/9-950 (for E212R) 45109/9-959 (for E212R1)

Mounting elements

Window type	Fixing screws	Drill ø
Wood	Countersunk wood screws 4x35 DIN 97 o.DIN 7997	2.5mm
Aluminium	Countersunk self-tapping screws 4.2xL DIN7972 o.DIN7982	3.5mm
Plastic	Countersunk self-tapping screws 4.2xL DIN7972 or DIN7982 Screw must go through min.2 profile walls	3.5mm

Fixing screws are not included in the delivery.

Area of application

only for vertically installed rectangular windows with bottom-hung or top-hung casement inward opening only for dry rooms

Additional locking can be fitted with the right and with left deviation

a = Casement width min. 612mm (only for rectangular windows)
b = Casement height min. 600mm
Total casement weight max. 60kg
max. panel weight:

Panel weight	max. permissible casement width a (mm)	
	1 scissors	2 scissors
to 20 kg/m ²	1200	2400
to 25 kg/m ²	1200	1900
to 30 kg/m ²	1200	1600
to 40 kg/m ²	-	1200

- i = Distance measure of the centre of gravity of the casement to the hinge pivot point = 10 to 60mm
- 0 = Overlap height 0-25mm
- D = Outer edge of casement to centre of V-arm (see table)
- X = Side clearance (see table)
- Y = Upper clearance (see table)

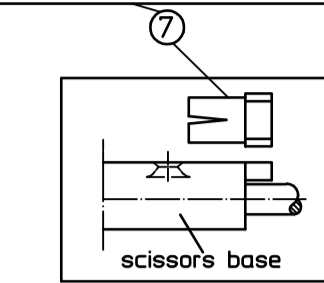
Casement height b	D-dimension top	Clearance Y top
from 600mm	12 to 18mm	D + 9mm

Deviation	D-dimension side	Side clearance X
E212 R1/R	16mm	39mm

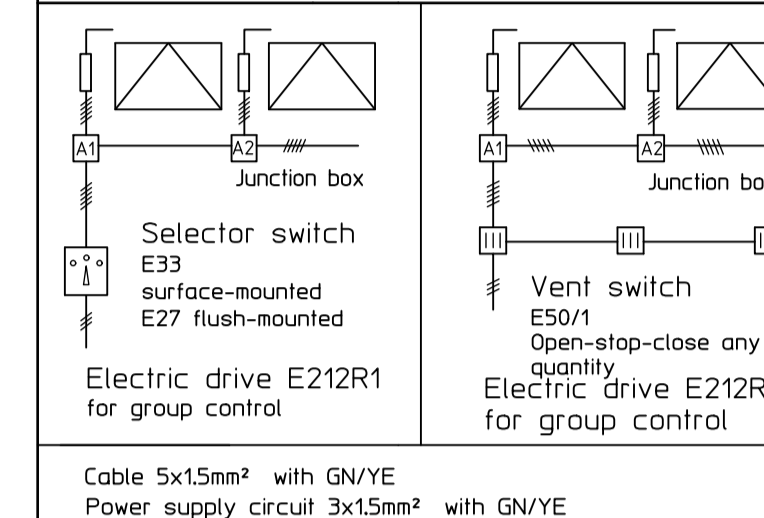
If the permissible casement width (see table) is not exceeded, up to 2 scissors may be mounted

Further installation drawings for GEZE OL95 :
OL 95 with hand lever 40445-EP-02
Additional sheet - Swivelling hand lever 40444-EP-02
OL95 with electric drive E212 horizontal 40445-EP-03
OL95 with electric drive E212 vertical 40445-EP-04
OL95 additional locking 40445-EP-10
OL95 with gear Fz91 and additional lockings 40445-EP-12

Connection (for cover profile)



Switch requirement



Cable 5x1.5mm² with GN/YE
Power supply circuit 3x1.5mm² with GN/YE

Ordering requirement* for 1 window with OL90N and additional locking	Fitting parts (see BOM)										
	A	B	C	D	E	F	G	H	J	K	K1
Electric drive E212R1 for group control/see switch requirement)	Aluminium/synthetic window	2X	X*	X**			X	2X	X		
Electric drive E212R for group control/see switch requirement)	Wooden window	2X	X*	X**			X	2X	X	X	X
	Aluminium/synthetic window	2X			X*	X**	X	2X	X		
	Wooden window	2X			X*	X**	X	2X	X	X	X

X* - up to 2 scissors per motor
X** - Group control up to max.6 motors
* Cover profile and rod must be ordered separately

Name	Ident no. for version:					Pc.
	EV1	dark bronze	white RAL 9010	white RAL 9016	RAL...	
A Additional locking OL90N for overlap 0-17mm (1 piece) Content: 1 Sliding part 2 Guide 3 Cover for locking mechanism 4 End cap 5 Additional bracket for transome part 6 Screw plate 7 Connection 8 Protective cap	30519	30520	30521	30523	30522	5
B Additional locking OL90N for overlap 14-25mm (1 piece) Content: 1 Sliding part 2 Guide 3 Cover for locking mechanism 4 End cap 5 Transome part 6 Connection 7 Protective cap	30524	30525	30526	30528	30527	5
C Electric drive E212R1 for group control Content: 1 E212R/230V AC Connecting lead 2 Selector switch E33 surface mounting 3 Open-stop-close Selector switch E27 flush mounting 4 Open-stop-close	20835	20836	20837	20839	20838	3
D Electric drive E212R for group control Content: 1 E212R/230V AC Connecting rod 2 Vent switch E50/1 Open-stop-close Surface and flush mounting	05428	05429	05430	15435	06683	3
E Rod coupling OL90				43546		
F Corner transmission for rectangular windows				70546		4
J Scissors OL95	82445	82446	82447	82448	82449	7
K Scissors OL95 without Casement bracket	84194	84195	84196	84197	84199	5
K1 Casement bracket for wooden window with Euro-groove F=45	30886	30887	30888	30890	30889	2
Rods and cover profiles						
Cover profile L=2m *	30401	30402	30403	30405	30404	
Cover profile L=3m *	30396	30397	30398	30400	30399	
Cover profile L=6m	27558	27559	27560	27561		
Rod ø8 galvanised L=2m			16555			
Rod ø8 galvanised L=3m			16591			
Rod ø8 galvanised L=6m			16592			
Accessories (Must be ordered separately)						
Drilling template OL90N/OL95						
Additional drilling template OL90N for wooden windows F=45			28141			
Rod guide			10878			

Material-Nr.	Material-Nr.	Material-Nr.	Material-Nr.	Material-Nr.
for wood 54799 yellow		for synthetic/metal 54800 blue		

* Cover profile mitre cut on both sides

Important information:

- Installation drawing, wiring diagram, installation instructions, maintenance and operating instructions as well as the guidelines for power-operated windows, doors and gates (ZH1/494) must be observed.
- The specified area of application must be observed.
- The prescribed fitting dimensions must be observed.
- The prescribed mounting elements must be used.
- In order to avoid injuries, protective caps must be turned on projecting threads of the fixing screws.
- Fittings are drawn in the closed position, but assembly is carried out in the open position.
- All fixing screws must be tightened in the open position with an Allen key SW3 with 5Nm.
- After assembly and before commissioning, the function of tightening all fixing screws must be checked, and all fixing screws must be tightened again.
- The joints and sliding points must be greased with an acid-free grease in accordance with DIN 51825.
- The free accessibility of the fitting parts for greasing and maintenance must be ensured in accordance with DIN 18357.
- If rods and cover profiles from other manufacturers are used, GEZE assumes no warranty and no liability for the resulting damage and consequential damage.
- From a free rod length of 600mm, rod guides must be used.
- The use of a suitable safety catch is prescribed for bottom-hung windows (see GEZE gripping and cleaning scissors).
- After reaching the end positions (open and closed) the operating light must extinguish immediately.
- The drive is delivered in open position.

Casement width a	f-dimensions	Length of the rods (L0,LZ) and the cover profiles (LA) (Cover profiles with cover cap or mitred cut)
612- 845	f1=a-432 f4=464	1 scissors LA1=f1-9 LA2=f4-264.5 LA1=f1-25 LA2=f4-280.5
845-1200	f1=a/2-10 f4=f1+51	2 scissors (Restrictions see table) LA1=f1-9 LA2=f4-264.5 LA1=f1-25 LA3=f2-288 LA2=f4-280.5
1120-1270	f1=a-934 f2=502 f4=464	2 scissors (Restrictions see table) LA1=f1-9 LA2=f4-264.5 LA1=f1-25 LA3=f2-288 LA2=f4-280.5
1270-2400	f1=a/3-87 f2=a/3+79 f4=a/3+40	2 scissors (Restrictions see table) LA1=f1-9 LA2=f4-264.5 LA1=f1-25 LA3=f2-288 LA2=f4-280.5

Deviation	D-dimension side	Side clearance X
E212 R1/R	16mm	39mm

GEZE GmbH
P.O. Box 19 63
7026 Leoberg
Germany

Benennung / designation
OL 95 with E 212 and additional locking
additional sheet for 40445-EP-04

vertraulich / confidential

Fig. Prod./Rel. Prod
Date/Date
Scale/Scale

Blatt / von sheet / of 2/2

Material-Nr. D-no.
1:1

Zeichnungs-Nr. / document-no.
40445-EP-11