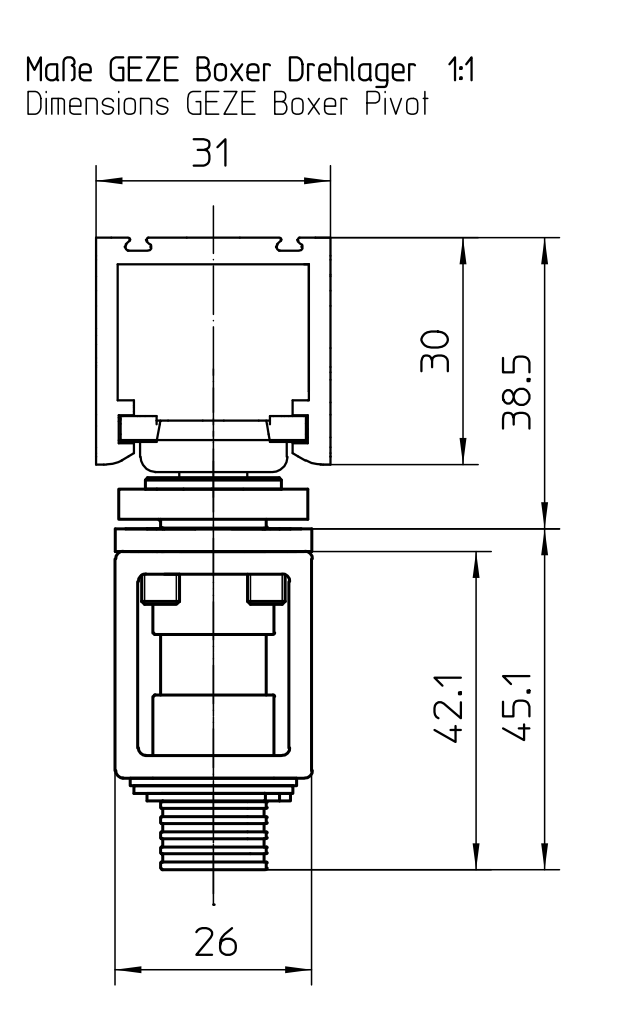
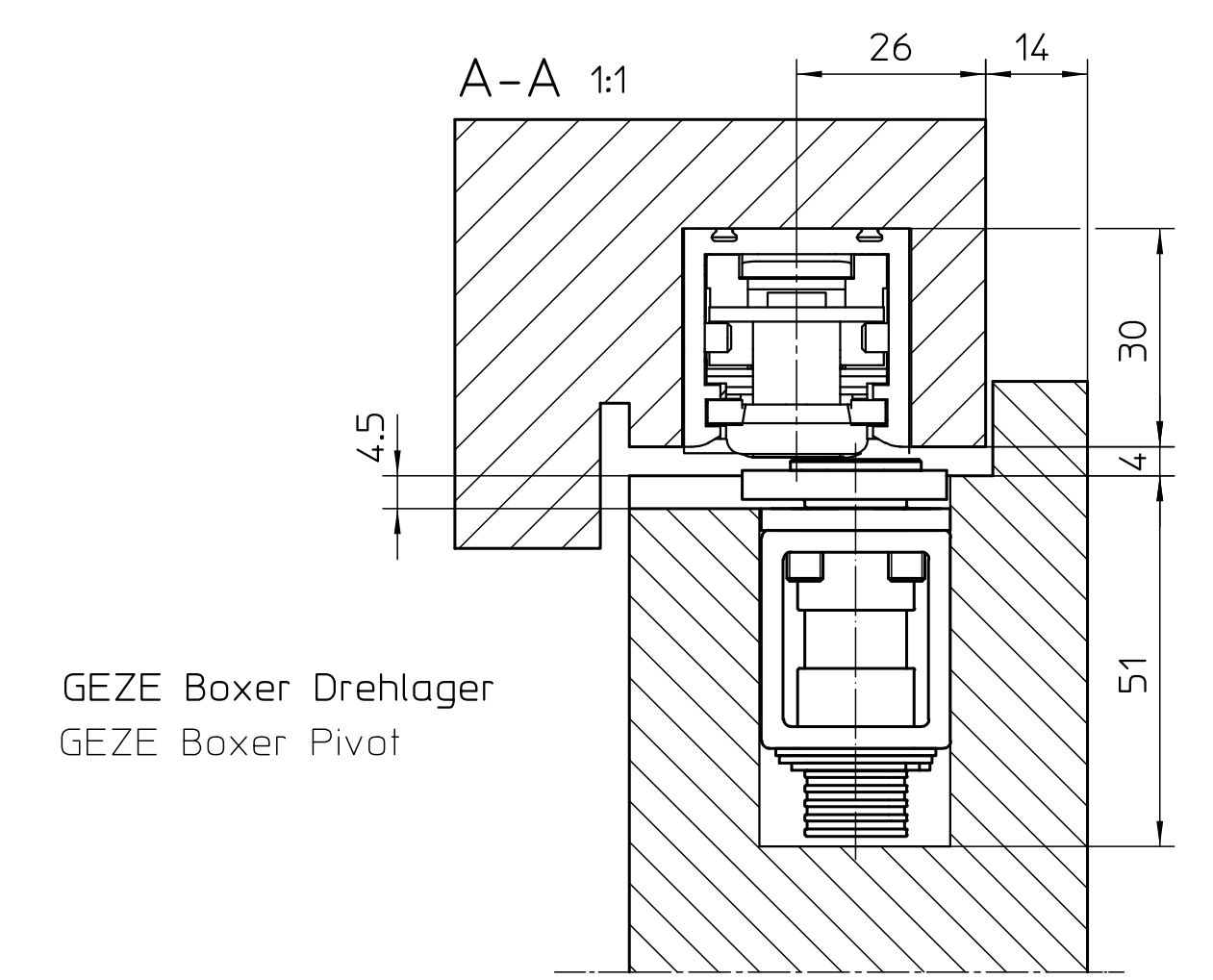
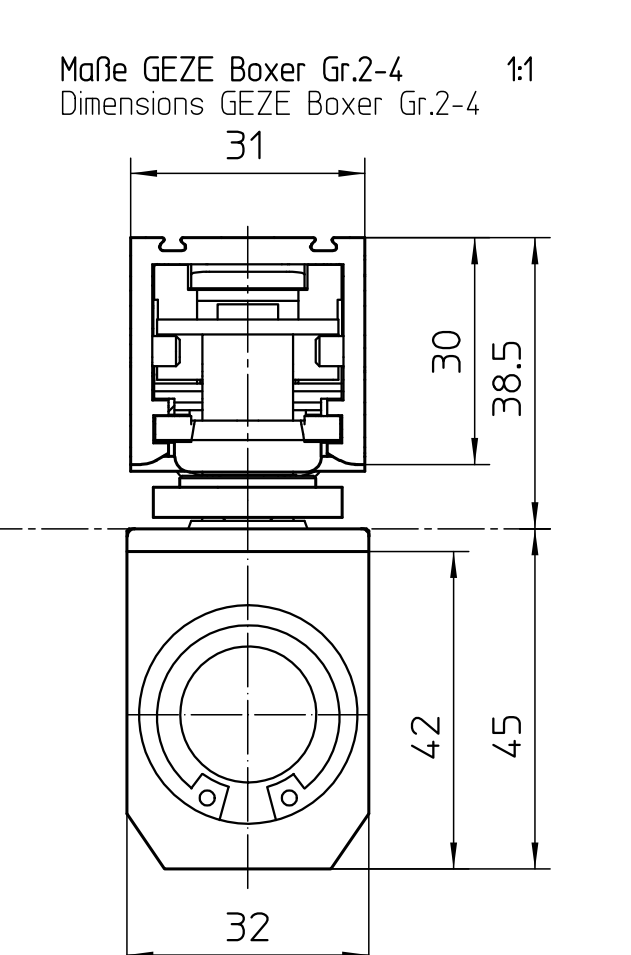
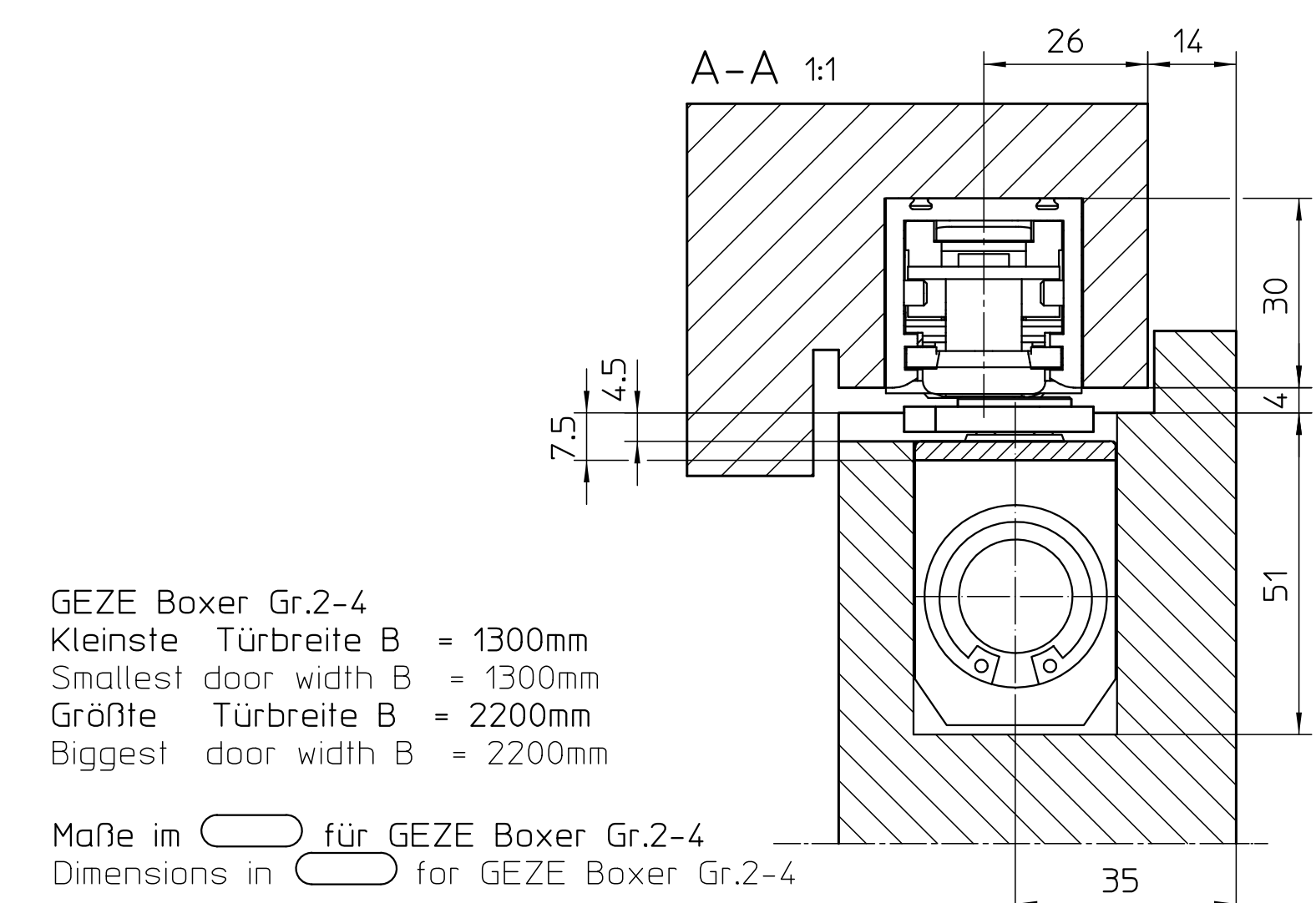
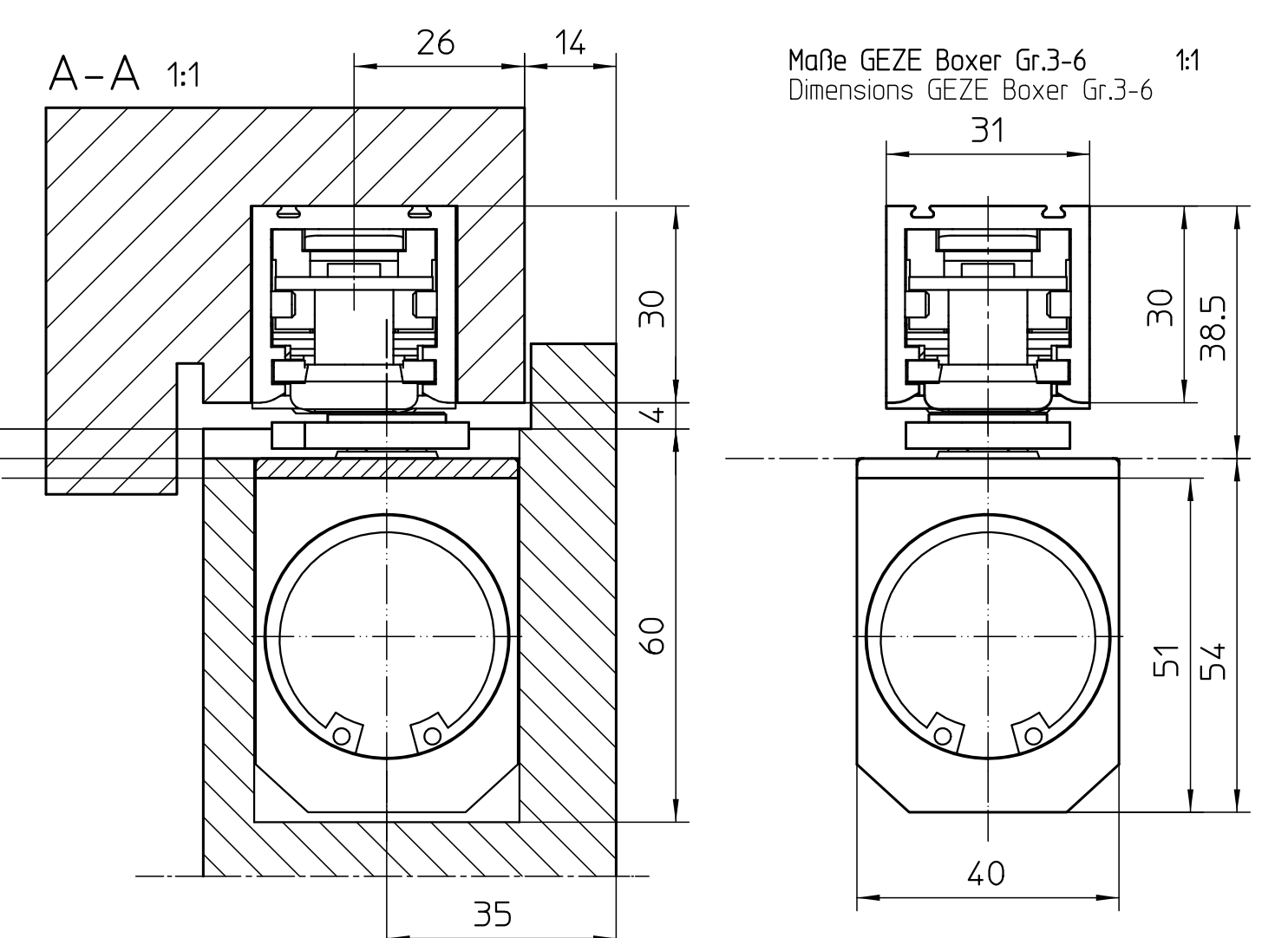


GEZE Boxer Gr.3-6
 Kleinste Türbreite B = 1300mm
 Smallest door width B = 1300mm
 Größte Türbreite B = 2800mm
 Biggest door width B = 2800mm



Mindestbreite Standflügel=540mm
 Minimum width fixed leaf=540mm
 zuzüglich Platzbedarf für Standflügelverriegelung
 additionally space required for fixed leaf locking
 Türöffnungswinkel ca. 120°
 Door opening angle ca. 120°
 GF = Gangflügel
 GF = Moving leaf

Übersicht		GEZE Gleit		Benennung / designation	
Pos.	Bezeichnung	Pos.	Bezeichnung	Pos.	Bezeichnung
01	ISM	01	ISM	01	ISM
02	ISM	02	ISM	02	ISM
03	ISM	03	ISM	03	ISM
04	ISM	04	ISM	04	ISM
05	ISM	05	ISM	05	ISM
06	ISM	06	ISM	06	ISM
07	ISM	07	ISM	07	ISM
08	ISM	08	ISM	08	ISM
09	ISM	09	ISM	09	ISM
10	ISM	10	ISM	10	ISM
11	ISM	11	ISM	11	ISM
12	ISM	12	ISM	12	ISM
13	ISM	13	ISM	13	ISM
14	ISM	14	ISM	14	ISM
15	ISM	15	ISM	15	ISM
16	ISM	16	ISM	16	ISM
17	ISM	17	ISM	17	ISM
18	ISM	18	ISM	18	ISM
19	ISM	19	ISM	19	ISM
20	ISM	20	ISM	20	ISM
21	ISM	21	ISM	21	ISM
22	ISM	22	ISM	22	ISM
23	ISM	23	ISM	23	ISM
24	ISM	24	ISM	24	ISM
25	ISM	25	ISM	25	ISM
26	ISM	26	ISM	26	ISM
27	ISM	27	ISM	27	ISM
28	ISM	28	ISM	28	ISM
29	ISM	29	ISM	29	ISM
30	ISM	30	ISM	30	ISM
31	ISM	31	ISM	31	ISM
32	ISM	32	ISM	32	ISM
33	ISM	33	ISM	33	ISM
34	ISM	34	ISM	34	ISM
35	ISM	35	ISM	35	ISM
36	ISM	36	ISM	36	ISM
37	ISM	37	ISM	37	ISM
38	ISM	38	ISM	38	ISM
39	ISM	39	ISM	39	ISM
40	ISM	40	ISM	40	ISM
41	ISM	41	ISM	41	ISM
42	ISM	42	ISM	42	ISM
43	ISM	43	ISM	43	ISM
44	ISM	44	ISM	44	ISM
45	ISM	45	ISM	45	ISM
46	ISM	46	ISM	46	ISM
47	ISM	47	ISM	47	ISM
48	ISM	48	ISM	48	ISM
49	ISM	49	ISM	49	ISM
50	ISM	50	ISM	50	ISM
51	ISM	51	ISM	51	ISM
52	ISM	52	ISM	52	ISM
53	ISM	53	ISM	53	ISM
54	ISM	54	ISM	54	ISM
55	ISM	55	ISM	55	ISM
56	ISM	56	ISM	56	ISM
57	ISM	57	ISM	57	ISM
58	ISM	58	ISM	58	ISM
59	ISM	59	ISM	59	ISM
60	ISM	60	ISM	60	ISM
61	ISM	61	ISM	61	ISM
62	ISM	62	ISM	62	ISM
63	ISM	63	ISM	63	ISM
64	ISM	64	ISM	64	ISM
65	ISM	65	ISM	65	ISM
66	ISM	66	ISM	66	ISM
67	ISM	67	ISM	67	ISM
68	ISM	68	ISM	68	ISM
69	ISM	69	ISM	69	ISM
70	ISM	70	ISM	70	ISM
71	ISM	71	ISM	71	ISM
72	ISM	72	ISM	72	ISM
73	ISM	73	ISM	73	ISM
74	ISM	74	ISM	74	ISM
75	ISM	75	ISM	75	ISM
76	ISM	76	ISM	76	ISM
77	ISM	77	ISM	77	ISM
78	ISM	78	ISM	78	ISM
79	ISM	79	ISM	79	ISM
80	ISM	80	ISM	80	ISM
81	ISM	81	ISM	81	ISM
82	ISM	82	ISM	82	ISM
83	ISM	83	ISM	83	ISM
84	ISM	84	ISM	84	ISM
85	ISM	85	ISM	85	ISM
86	ISM	86	ISM	86	ISM
87	ISM	87	ISM	87	ISM
88	ISM	88	ISM	88	ISM
89	ISM	89	ISM	89	ISM
90	ISM	90	ISM	90	ISM
91	ISM	91	ISM	91	ISM
92	ISM	92	ISM	92	ISM
93	ISM	93	ISM	93	ISM
94	ISM	94	ISM	94	ISM
95	ISM	95	ISM	95	ISM
96	ISM	96	ISM	96	ISM
97	ISM	97	ISM	97	ISM
98	ISM	98	ISM	98	ISM
99	ISM	99	ISM	99	ISM
100	ISM	100	ISM	100	ISM