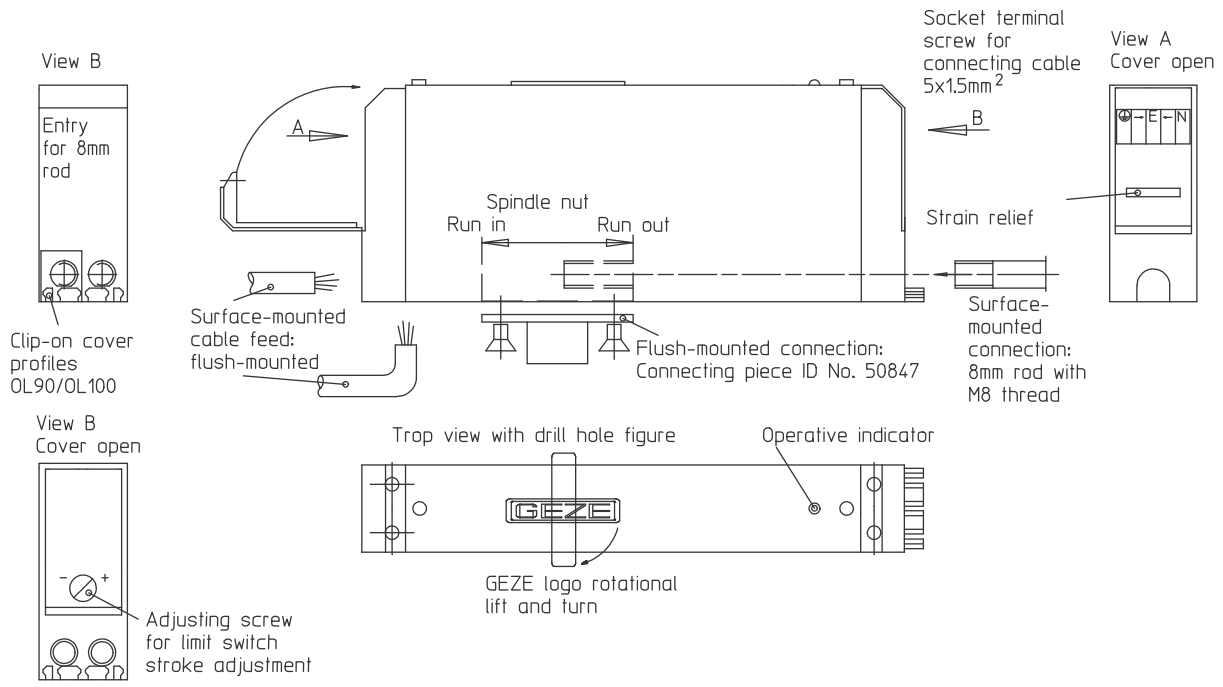


This drawing shows the actual state of product development at the date of the drawing or the revision date. No claims of damages in any form can be made against GEZE as a result of the use of the drawing. The drawing is made available to third parties only for the duration of contractual obligations. All rights connected with this drawing remain in possession of GEZE. This drawing may not be copied or handed over to third parties without the express consent of GEZE.

EMPB = Erstmusterprüfbericht / First sample test report



Mechanical and electrical data:

Stroke max. 66mm -Adjusted to 52mm
 Spindle nut run-in.
 Operating time for 52mm stroke ca. 30sec under load
 Protection type : IP52
 - only for dry rooms -
 Operational voltage : 230V AC
 Current consumption : 0.4A
 Power consumption : 90VA
 Short-time operation : ED 25%
 Temperature range : -20 to +70 C
 Tensile and pressure force: 1400N -10%
 Group control : - max. 6 motors

4. for surface-mounted opener: Screw in connecting rod in the spindle nut (with M8 thread).
5. Turn GEZE logo if necessary. Lift up slightly, turn and press down.
6. Adjust stroke if necessary.

Stroke adjustment:

Adjusting screw -see View B- cover open
 Towards "+" = increase stroke ("- " reduce)
 2mm stroke adjustment of spindle nut corresponds to 2.5 rotations of the limit switch setting.

The stroke is set to 52mm ex works.
 The stroke must be CHECKED for corresponding mounting stroke and adjusted as necessary.
 Adjustment value = mounting stroke minus 2 mm.
 e.g.: OL90 with 54mm stroke = stroke for electric drive 52mm.

When adjusting the limit switch, it is important that it switches off correctly: Lamp is extinguished. If not, then the thermal switch reacts and the operative indicator does not extinguish.

The adjustment must be checked and ensured by a test run.
 Use adjusting device ID No. 26762.

Maintenance: The motor must be fitted in an accessible position and lubricated again depending on the load.

Protect the electric drive from construction dirt and spurts of water.

Order No.: Electric drive E212R1/230V AC	
EV1	ID No. 20835
dark bronze	ID No. 20836
white 9010	ID No. 20837
acc. RAL	ID No. 20838
white 9016	ID No. 20839
Conn. piece f.fl.-mounted opener: ID No. 50847	
Rod coupler for OL90	: ID No. 43546
Rod coupler E212 for OL100	: ID No. 08800

Assembly:

Please ensure that you have an E212*R1* (for group control).
 1. Open side pieces.
 2. for flush-mounted opener: Assemble connecting piece. -see corresp. installation diagram-
 3. Fasten electric drive.
 usable screw types:
 Countersunk wood screw 4 or 4.5x35 DIN97 or 7997
 Countersunk tapping screw 4.2 or 4.8xL DIN7972 or 7982
 Countersunk screw M5x12 DIN963 or 965
 Select correct length so that the occurring forces are securely relayed.

Cross references	
Electrical connection, see Page 2	
E212/R1 230V packaging parts lists	45109-0-005
E212/R1 230V mechanical and elec.	45109-1-0104

Diese Zeichnung entspricht dem Entwicklungsstand des Zeichnungs-Zustandes. Änderungen sind nur durch eine neue Zeichnung möglich. Nachträgliche Änderungen sind nicht zulässig. Die Zeichnung bleibt unser Eigentum und ist nicht für die Weitergabe an Dritte geeignet. Die Verantwortung für die Richtigkeit der Zeichnung liegt ausschließlich bei GEZE. GEZE übernimmt keine Haftung für Schäden, die aus der Verwendung dieser Zeichnung resultieren. GEZE ist nicht haftbar für Schäden, die aus der Verwendung dieser Zeichnung resultieren. GEZE ist nicht haftbar für Schäden, die aus der Verwendung dieser Zeichnung resultieren. GEZE ist nicht haftbar für Schäden, die aus der Verwendung dieser Zeichnung resultieren.

				GEZE GmbH P.O. Box 13 63 71226 Leonberg Germany		Benennung / designation	
				vertraulich / confidential		Connection diagramm electric drive E212R1/230V AC for group control with one switch	
		Datum / date		Name / name		Blatt / von sheet / of	
		erstellt / drawn		tbe7		1 / 2	
		gepr. / checked		tbe9		Material-Nr. ID-no.	
						Maßstab scale	
						1	
07		26.06.2007		tbe7		48031	
06		19.07.2004		tbe7		-	
Erstz. für: subst. for:		Erstz. durch: subst. with:		Sprache / language		Zeichnungs-Nr. / document-no.	
				GB		45109-9-0959	
EMPB Dok.version		Datum date		Name name		Mitteilungs-Nr. Doc. change no.	

This drawing shows the actual state of product development at the date of the drawing or the revision date. No claims or damages in any form can be made against GEZE as a result of the use of this drawing. GEZE is not liable for the accuracy of the drawing and is made available to third parties only for the duration of contractual obligations. All rights connected with this drawing remain in possession of GEZE. This drawing may not be copied or handed over to third parties without the express consent of GEZE.

EMPB = Erstmusterprüfbericht / First sample test report

Attention!

Observe the pertinent installation requirements, do not place cords under plaster!

Mains feeder connection:

Open side piece and remove socket terminal screw.
 Connect: Screw in rigid 5mm stripped wires.
 Disconnect: Unscrew wires:
 Insert socket terminal screw in electric drive,
 connect strain relief and close the cover.

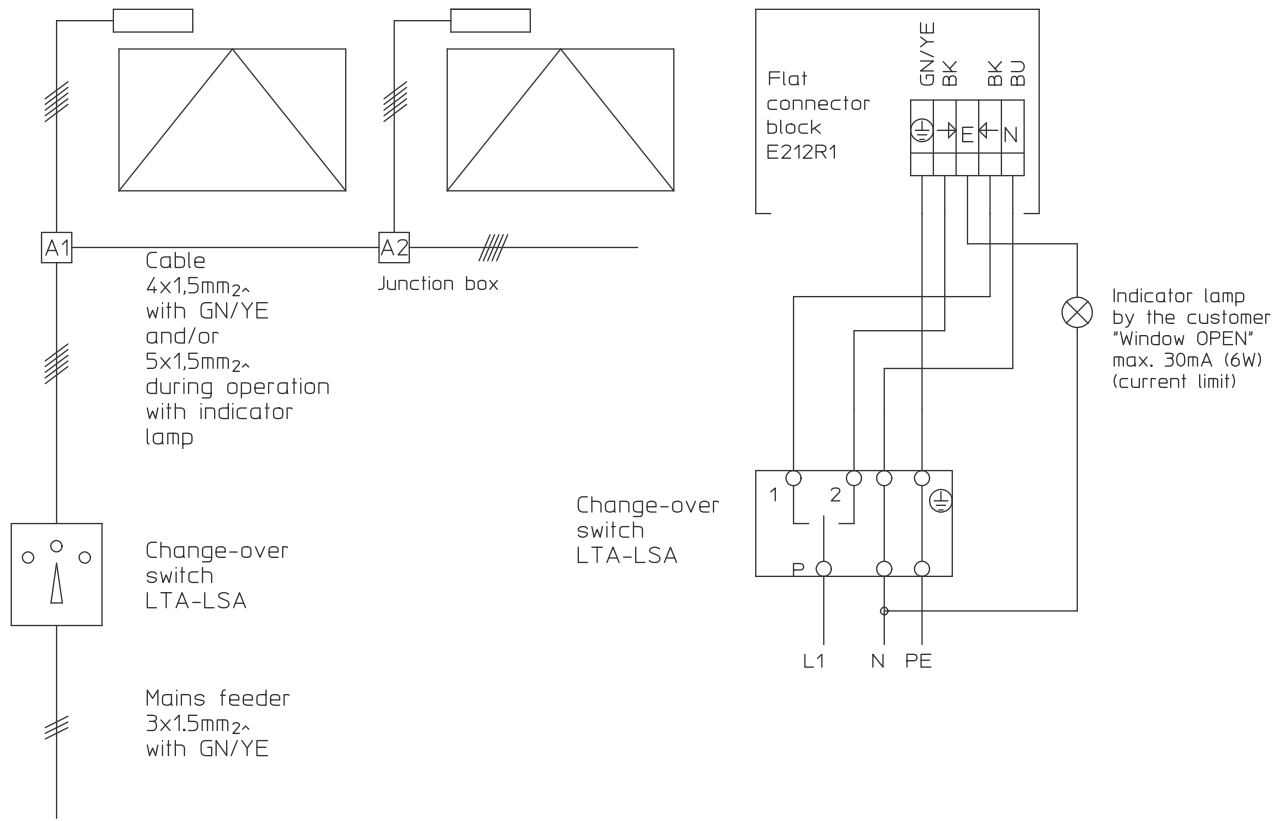
Use GEZE adjusting device No. 26762 for start-up.
 Connectable 1 change-over switch LTA-LSA.



The motor will switch off if the limit switch is adjusted incorrectly or if the system is blocked (autom. thermal protective switch)

Eliminate source of error.

The motor is ready for operation after it has cooled off.



Wire colours:

- BN = brown
- BK = black
- BU = blue
- GN/YE=green/yellow

We will not assume guarantee and services for combinations with outside products.

Laying lines and connections only by authorised electric company.

Information for the electrician:
 This diagram must be fixed to the device.

Diese Zeichnung entspricht dem Entwicklungsstand des Zeichnungs-Zustandes zum Zeitpunkt der Erstellung. GEZE übernimmt keine Haftung für Schäden, die durch die Verwendung dieser Zeichnung entstehen. Die Zeichnung bleibt unser Eigentum und ist ohne vorherige Zustimmung von GEZE an Dritte nicht weiterzugeben. GEZE ist nicht verpflichtet, diese Zeichnung wiederherzustellen.

				GEZE GmbH P.O. Box 13 63 71226 Leonberg Germany		Benennung / designation	
				vertraulich / confidential		Connection diagramm electric drive E212R1/230V AC for group control with one switch	
				Datum / date	Name / name	Blatt / von sheet / of	Material-Nr. ID-no.
				erstellt / drawn	tbe7	2 / 2	
				gepr. / checked	tbe9	Maßstab scale	
						1	
07	26.06.2007	tbe7	48031	Ersatz für: subst. for:		Sprache / language	Zeichnungs-Nr. / document-no.
06	19.07.2004	tbe7	-	Ersetzt durch: subst. with:		GB	
EMPB	Dok.version doc.version	Datum date	Name name	Mitteilungs-Nr. Doc. change no.			45109-9-0959